

# RECESSED PULL

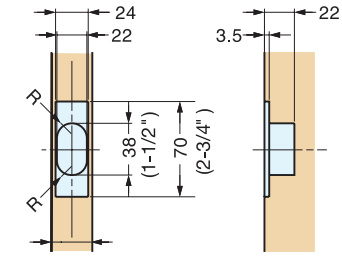
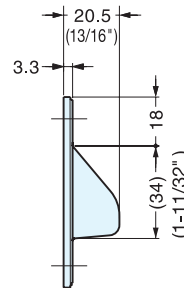
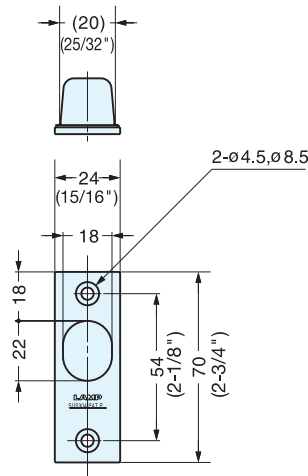


**YK-70**

• Ideal for pocket door application.



PAT



Door Thickness:  
min. 30 mm

Item No.	Weight (g)	Box (pcs)	Carton (pcs)	Material	Finish
YK-70	37	20	200	304 Stainless Steel	Satin

# RECESSED PULL

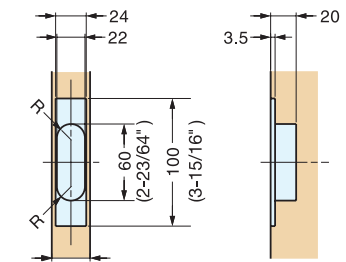
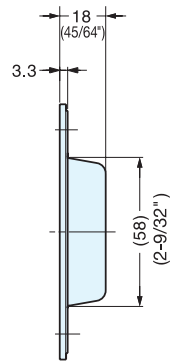
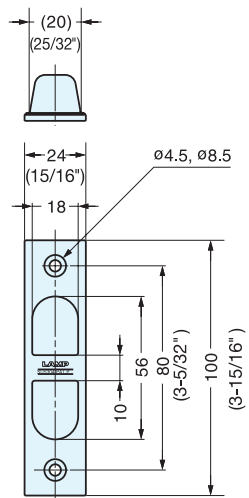


**YK-W100**

• Ideal for pocket door application.



PAT



Door thickness:  
min. 30 mm

Item No.	Weight (g)	Box (pcs)	Carton (pcs)	Material	Finish
YK-W100	45	20	160	304 Stainless Steel	Satin